



PRODUCT NUMBER: 1728570
EVAMASQUE

The EVAMASQUE is a 15mn filtering escape device which provides effective protection during the evacuation of accidentally polluted area which volume of oxygen in atmosphere is more than 17%.

It is particularly suited to the conditions of use in oil & gas and chemical industries due to its broad spectrum gas filtration coverage with the ABEK filter. It is also compatible with other items of PPE such as spectacles or helmets

The EVAMASQUE is compliant with the DIN58647-7 standard

Honeywell

Overview

Reference Number

1728570

Product Type

Respiratory Protection

Range

escapemasks

Line

Half-face Evacuation Mask

Brand

Honeywell

Industry

- Chemical Industries
- General Industry
- Petro-chemical

Product Use

It is only intended for use in emergency situations.

(accident in chemical industry without splashing)

Features & Benefits

Feature

Protection

Benefit

High level of protection due to its ABEK filter providing a broad spectrum against organic, inorganic gases and vapours, sulphur dioxide, hydrogen chloride and other acid gases, ammonia and organic ammonium compounds.

Feature

Safety

Benefit

Can be carried on a belt making it easy to reach in case of an emergency. Packed inside a robust protective casing which protects the filtering escape device against accidental damage and contamination.

Feature

Comfort and Convenience

Benefit

Field of vision is not obstructed due to the low position of the filter on the half-mask The exhalation valve reduces the breathing resistance

Technical Description

Mask

Headpiece

Half mask

Material

- Mask moulded in Black EPDM, equipped with Neopren inhalation Valve, Silicone exhalation valves and elastomeric strap - Filter : Carbone, Paper and no-woven PA - Casing : Red Polystyren - Adhesive tape

Certifications

 E.C. Declaration of Conformity

EC Category PPE

3

EC Certificate Number

7542 A/12/39 PSA

EC Attestation

 Evamasque Filtering Escape Device Certificate 1728570

EC Attestation Number

7542 A/12/39 PSA

 Declaration of conformity DEKRA - 1728570

http://www.honeywellsafety.com/supplementary/documents_and_downloads/secured/pic_sku_-_certificates/4294989370/1033.aspx

Literature & Documents

Evamasque DIN Leaflet

http://www.honeywellsafety.com/supplementary/documents_and_downloads/respiratory_protection/escape_solutions/4294972874/1033.aspx

Product Sheet Evamasque English 1728570

http://www.honeywellsafety.com/supplementary/documents_and_downloads/respiratory_protection/escape_solutions/4294973265/1033.aspx

1728570 EVAMASQUE Portuguese Product Sheet

http://www.honeywellsafety.com/supplementary/documents_and_downloads/respiratory_protection/escape_solutions/4294972132/1033.aspx

Leaflet Evamasque 1728570 Portuguese

http://www.honeywellsafety.com/supplementary/documents_and_downloads/respiratory_protection/escape_solutions/4294972872/1033.aspx

Leaflet Evamasque 1728570 Spanish

http://www.honeywellsafety.com/supplementary/documents_and_downloads/respiratory_protection/escape_solutions/4294972866/1033.aspx

Leaflet Evamasque 1728570 Polish

http://www.honeywellsafety.com/supplementary/documents_and_downloads/respiratory_protection/escape_solutions/4294972871/1033.aspx

Leaflet Evamasque 1728570 Arabic

http://www.honeywellsafety.com/supplementary/documents_and_downloads/respiratory_protection/escape_solutions/4294972864/1033.aspx

Product Sheet in Arabic language

http://www.honeywellsafety.com/supplementary/documents_and_downloads/respiratory_protection/escape_solutions/4294972651/1033.aspx

1728570 EVAMASQUE Spanish product sheet

http://www.honeywellsafety.com/supplementary/documents_and_downloads/respiratory_protection/escape_solutions/4294972130/1033.aspx

Product Sheet in Polish language

http://www.honeywellsafety.com/supplementary/documents_and_downloads/respiratory_protection/escape_solutions/4294972860/1033.aspx

Additional Information

User Manual

 Evamasque Filtering Escape Device User Manual 1728570

Maintenance

Life Cycle

- Storing time with the same filter = 4 years (refer to the date shown on the 4-color seal label on the side of the mask).

- Maximum service life of the product = 12 years (will require 2 filter changes if the EVAMASQUE is never used)

Storage Information

- Store the filtering escape device in its original packaging so that it is protected from sun and dust
- Do not expose to direct sunlight

Parts & Accessories

Accessories

Spare Parts

- 17 285 71 ABEK replacement anti-gas filter
- 17 799 93 Protection box with clamp
- 17 282 98 Adhesive tape - 50 meters (*allows for sealing of about 90 units*)
- 17 850 02 EVAMASQUE half-mask *alone (no filter, no casing)*

Spare Parts File

TECHNICAL VIEW EVAMASQUE FILTERING ESCAPE DEVICE

Packaging

EAN Code

7312557285711

Packaging Specs Individual Box

16 x 15 x 13

Packaging Specs Case Box

73 x 55 x 36

Unit of Measure

cm

Quantity per Box/Pack/Case

1

Quantity per Carton

50

Quantity for Minimum Order

1

Country of Origin

FRANCE

(1) **EG-Baumusterprüfbescheinigung**
EC-Type Examination Certificate

(2) Richtlinie des Rates vom 21. Dezember 1989 zur Angleichung der Rechtsvorschriften der Mitgliedstaaten für persönliche Schutzausrüstungen - Richtlinie 89/686/EWG *Council Directive of 21 December 1989 on the approximation of the laws of the member states relating to personal protective equipment - 89/686/EEC*

(3) Nr. der EG-Baumusterprüfbescheinigung: *No. of EC-Type Examination Certificate:*

7542 A/12/39 PSA

(4) Produkt: *Product:*
Atemschutzgeräte für Selbstrettung, Fluchtfiltergeräte, Modell *Respiratory protective devices for self-rescue, filtering device for self-rescue, type*

EVAMASQUE

(5) Hersteller: *Manufacturer:*

Honeywell Respiratory Safety Products France S.A.S

(6) Anschrift: *Address:*
ZI PARIS NORD II - B.P. 50288, 33, rue des Vanesses, 95958 ROISSY CDG Cedex, France

(7) Die Bauart dieser persönlichen Schutzausrüstung sowie die verschiedenen zulässigen Ausführungen sind in dem Anhang zu dieser Baumusterprüfbescheinigung festgelegt. *The design and construction of this personal protective equipment and any acceptable variation thereto are specified in the appendix to this type examination certificate.*

(8) Die Zertifizierungsstelle der DEKRA EXAM GmbH, benannte Stelle Nr. 0158 gemäß Artikel 9 der Richtlinie 89/686/EWG des Rates vom 21. Dezember 1989, bescheinigt, dass diese persönliche Schutzausrüstung die grundlegenden Anforderungen für Gesundheitsschutz und Sicherheit gemäß Anhang II der Richtlinie erfüllt. Die Ergebnisse der Prüfung sind in den im Anhang genannten Prüfberichten niedergelegt. *The certification body of DEKRA EXAM GmbH, Notified Body No. 0158 according to Article 9 of Council Directive 89/686/EEC of 21 December 1989, certifies that this personal protective equipment has been found to comply with the Essential Health and Safety Requirements given in Annex II to the Directive. The examination and test results are recorded in the test and assessment reports mentioned in the appendix of this certificate.*

(9) Die grundlegenden Sicherheits- und Gesundheitsanforderungen werden erfüllt durch Übereinstimmung mit *The Essential Health and Safety Requirements are assured by compliance with*

DIN 58647-7:1997

(10) Diese EG-Baumusterprüfbescheinigung bezieht sich nur auf die Konzeption und die Baumusterprüfung der beschriebenen persönlichen Schutzausrüstung in Übereinstimmung mit der Richtlinie 89/686/EWG. Für Herstellung und Inverkehrbringen der persönlichen Schutzausrüstung sind weitere Anforderungen der Richtlinie zu erfüllen, die nicht durch diese Bescheinigung abgedeckt sind.

This EC-Type Examination Certificate relates only to the design, examination and tests of the specified personal protective equipment in accordance to Directive 89/686/EEC. Further requirements of the Directive apply to the manufacturing process and supply of this personal protective equipment. These are not covered by this certificate.

(11) Der Hersteller ist verpflichtet, beim Anbringen der CE-Kennzeichnung an den mit dem Baumuster übereinstimmenden Produkten, der CE-Kennzeichnung die Kennnummer der benannten Stelle, welche die Kontrolle der fertigen PSA durchführt, hinzuzufügen.

When applying the CE Marking to the products that conform to the types examined, the client is obliged to add, in accordance with the attached pattern, the identification number of the Notified Body engaged in production control.

CE XXXX

(12) Diese EG-Baumusterprüfbescheinigung ist gültig bis

This EC-Type Examination certificate is valid until

12.09.2017

DEKRA EXAM GmbH
Bochum, 12.09.2012

Zertifizierungsstelle *Certification body*

Fachbereich *Special services unit*

- (13) Anhang *Appendix*
zur *to*
(14) **EG-Baumusterprüfbescheinigung** *EC-Type Examination Certificate*

7542 A/12/39 PSA

für die Firma *for the company*

Honeywell Respiratory Safety Products France S.A.S, ZI PARIS NORD II - B.P. 50288, 33, rue des Vanesses, 95958 ROISSY CDG Cedex, France

- (15) 15.1 Gegenstand und Typ *15.1 Subject and type*

Atenschutzgeräte für Selbstrettung,
Fluchtfiltergeräte, Modell

*Respiratory protective devices for self-rescue,
filtering device for self-rescue, type*

EVAMASQUE

15.2 Beschreibung

15.2 Description

siehe 15.1

see 15.1

15.3 Kenngrößen

15.3 Parameters

Klasse ABEK15

Class ABEK15

- (16) Besondere Bedingungen für die sichere
Anwendung

Special conditions for safe use

keine

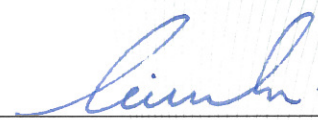
none

- (17) Prüfbericht(e) Nr.

Test report(s) no.

7542 A/12 vom/dated of 12.09.2012

DEKRA EXAM GmbH
Bochum, 12.09.2012



Zertifizierungsstelle *Certification body*



Fachbereich *Special services unit*



E.C. Declaration of Conformity

The manufacturer or its legal representative supplier in the European Community:

Honeywell Safety Products Europe

Declares that the Personal Protective Equipment described here after conforms to the provisions of the European Council Directive 89/686/CEE:

Designation: EVAMASQUE

Reference: 1728570

Standard(s): DIN 58647-7

This PPE is the object of the below EC examination certificate n°:

7542 A/12/39 PSA

Delivered by:

DEKRA EXAM GmbH - n°0158

Test laboratory for Component Safety -

Seilprüfstelle- Dinnendahlstr. 9 -

44809 Bochum - Germany

Drawn up in Villers, on the 19/10/2016

By: Eric PUILLE

Division: Respiratory Protection

HONEYWELL SAFETY PRODUCTS EUROPE
Immeuble Edison - ZI Paris Nord II - 33 rue des Vanesses
BP 55288 Villepinte - 95958 ROISSY CDG CEDEX
SAS au capital 17 750 000 € - Siret 348 892 307 00137
Tel. +331 4990 7979 - Fax +331 4990 7980

ZI Paris Nord II 33, rue des Vanesses BP 50288 95958 Roissy CDG France

Tel: +33 (0) 49 90 79 79 Fax: +33 (0)1 49 90 79 80

www.honeywellsafety.com



FILTERING ESCAPE DEVICE



The EVAMASQUE is a light and compact 15 minutes filtering escape device which provides effective protection during the evacuation of accidentally polluted areas which volume of oxygen in atmosphere is more than 17%.

It is particularly suited to the conditions of use in Oil & Gas and chemical industries due to its broad spectrum gas filtration coverage with the ABEK filter.

The EVAMASQUE filtering escape device is safe, convenient and easy to use.



Oil & Gas



Chemical

The EVAMASQUE filtering escape device is only intended for use in emergency situations (compliant with the DIN58647-7 standard).

With a robust red protective casing, made in high impact polystyrene (HIPS), the product is protected from shocks to ensure the integrity of the half-mask and the filter.

The EVAMASQUE filtering escape device has been designed for a long lifetime with minimum maintenance: It can be stored during 12 years.

The ABEK filter must be changed every 4 years to ensure full efficiency.

The others components (half-mask and protective casing) are also available for change if required.

PROTECTION

- The EVAMASQUE filtering escape device provides a high level of protection due to its ABEK filter. Its filter provides a broad spectrum protection against organic, inorganic gases and vapours, sulphur dioxide, hydrogen chloride and other acid gases, ammonia and organic ammonium compounds.

SAFETY

- The EVAMASQUE filtering escape device can be worn around the waist belt, always within hand reach in case of an emergency: the user only has to open the protective casing and put it on.
- The EVAMASQUE filtering escape device filtering escape device is packed inside a robust protective casing which protects the filtering escape device against accidental damage and contamination.
- The EVAMASQUE can only be used in atmosphere with more than 17% of oxygen.

COMFORT AND CONVENIENCE

- Label with validity date on the packaging and the protective casing: immediate visibility of the expiration date.
- The user's field of vision is not obstructed due to the low position of the filter on the half-mask.
- The exhalation valve reduces the breathing resistance, providing better

comfort. This point is very important in a situation of evacuation as, in such a case, the breathing rate increases.

- Compact, light and worn around the waist belt it does not disturb the user during its work.



SPECIFICATIONS

Gross weight (with casing) / Net weight (without casing)	440 gr / 365 gr
Product dimensions / Packaging dimensions	15,4 x 10,5 x 8 cm / 16 x 15 x 13 cm - individual packed
Standard	DIN 58647-7
Protection factor	NPF (nominal protection factor) : 50 / APF (assigned protection factor) : 10

MATERIAL

Skirt	Black EPDM
Inhalation Valve / Exhalation Valve	Neoprene / Black Silicone
Filter	ABEK Charcoal, aluminium casing
Box	Red high impact polystyrene
Strap	Elastomeric
Adhesive tape	Coated textile

ORDERING INFORMATION

	PART NUMBER
EVAMASQUE complete with ABEK filter	17 285 70
ABEK replacement anti-gas filter (includes label with validity date + elastic strap)	17 285 71
Protective box (with beltclip and strap)	17 799 93
Adhesive tape - 50 meters (allows for sealing of about 90 units)	17 288 21
100 x disinfecting wipes	17 266 02
EVAMASQUE alone with elastic strap and no filter	17 285 02

HONEYWELL SAFETY PRODUCTS

SPERIAN PROTECTION (UK) LIMITED

Unit 3 Elmwood, Chineham Park,
Basingstoke, RG24 8WG
Phone: +44 (0) 1256 693 200
Fax: +44 (0) 1256 693 300
E-mail : hrsp-info@honeywell.com

www.honeywellsafety.com

HONEYWELL SAFETY PRODUCTS EUROPE SAS

Immeuble Edison Paris Nord 2
33 rue des Vanesses
CS 55288 Villepinte
95958 Roissy CDG Cedex - France
Tel : +33 (0)1 49 90 79 79
Fax : +33 (0)1 49 90 71 04
Email: info-export.hsp@honeywell.com

Honeywell

EVAMASQUE FILTERING ESCAPE DEVICE

REF. : 17 285 70



Description

The EVAMASQUE is a 15 min filtering escape device which provides an effective protection during the evacuation of accidentally polluted areas which volume of oxygen in atmosphere is more than 17%.

It is particularly suited to the conditions of use in oil and gas and chemical industries due to its broad spectrum gas filtration coverage with the ABEK filter. It is also compatible with other items of PPE such as spectacles or helmets.

The EVAMASQUE filtering escape device is safe, practical and easy to use.

It is small, neatly packed in a robust protective casing to be carried or stored easily for long period of times, up to 12 years (4 years without maintenance, 12 years with 2 filter changes).

The EVAMASQUE filtering escape device ensures maximum protection for escape situations.
It is only intended for use in emergency situations.

Benefits

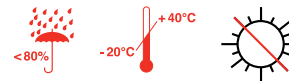
- Effective protection.
- Light and Compact.
- Quick and Easy to use.
- Excellent visual comfort.

Standards

- EVAMASQUE : DIN 58647-7
Respiratory protective devices for self-rescue,
Part 7: Filtering devices for self-rescue.

Characteristics

- **Size** : One size.
- **Storage time** : 12 years with 2 filter changes
(filter shelf life : 4 years without maintenance).
- **Storage conditions** :

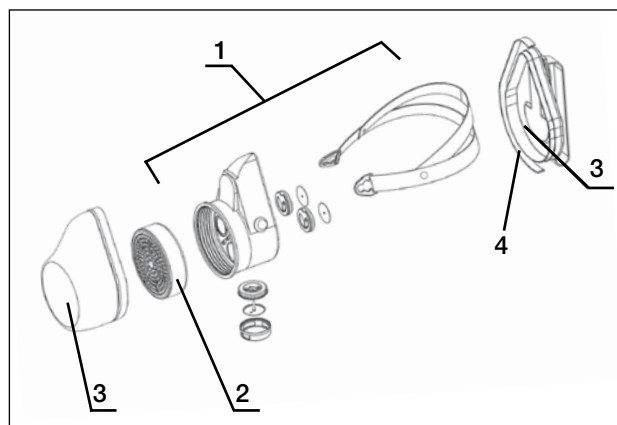


- **Net Weight** : 365g
- **Dimensions of product** : 15,5 x 10 x 8 cm
- **Packaging** : - Individually packed 15 x 11,5 x 11,5 cm
- Shipping box : 50 units
- **Nominal Protection Factor (NPF)** : 50
- **Material**
 - Mask moulded in Black EPDM, equipped with Neopren inhalation Valve, Silicone exhalation valves and elastomeric strap.
 - Filter : Carbone, Paper and non-woven PA.
 - Casing : Red Polystyren.
 - Adhesive tape.

Maintenance

- Main components can be changed.
- For details please refer to the user manual.
- Part numbers for maintenance :

N°	Part Numbers	Description
1	17 285 02	EVAMASQUE half-mask alone (no filter, no casing)
2	17 285 71	ABEK replacement anti-gas filter with replacement elastic strap + seal ribbon
3	17 799 93	Protective shell with belt clip and clamp
4	17 288 21	Adhesive tape - 50 meters 4 (allows for sealing of about 90 units)



Product Use

Cleaning :

- Clean the half mask with warm soapy cloth, not under running water.
- Carefully dry before putting it back to storage.

User's instructions

- Make sure that the transport box is not damaged.



FILTER CAPACITY ACCORDING TO THE DIN58647-7 STANDARD

Filter Type	Test gas	Test gas concentration in air		Minimum breakthrough time of class
		Vol. -%	mg/l	
A ■	Cyclohexane (C6H12)	0.25	8.7	15
B ■	Chlorine (Cl2)	0.25	7.4	15
B ■	Hydrogen sulphide (H2S)	0.25	3.6	15
B ■	Hydrogen cyanide (HCN)	0.25	2.8	15
E ■	Sulphur dioxide (SO2)	0.25	6.7	15
K ■	Ammonia (NH3)	0.25	1.8	15
B ■	Hydrogen sulphide (H2S)	1.0*	14.2	5

(*) To estimate the gas filter's breakthrough safety, it is also tested with 1.0 Vol. -% sulphur dioxide. Test conditions 30L/mn, 70% relative humidity, 20°C

Warnings :

- Do not use the filtering escape device if an effective face seal cannot be achieved. Refer to Maintenance Instructions.
- The seal of the filtering escape device is also affected by size and facial structure of the user, e.g. beard hair, etc.
- Do not remove the filtering escape device before leaving the contaminated area.
- The filtering escape device provides limited protection against low boiling point solvents
- The filtering escape device provides limited protection against high concentrations of hazardous substances (The filtration duration will be reduced, or filter can become inefficient at very high concentrations).
- Do not use filtering escape devices in tanks and confined spaces where there is a risk of oxygen deficiency
- The filtering escape device is designed for use in escape situations only. Please consult the supplier if you have any doubt as to whether the respirator is suitable for the situation in which you intend to use it.
- Leave the area as soon as the vapour or odour of the contaminants becomes noticeable. The filter is «saturated». It has to be changed.
- Not efficient against carbon monoxide (CO).

Honeywell Safety Products

Unit 3 Elmwood - Chineham Park - Basingstoke - RG24 8WG - United Kingdom
 Phone: +44 (0) 1256 693 200 - Fax: +44 (0) 1256 693 300
 Email: info-uk.hsp@honeywell.com

Honeywell

DIPOSITIVO DE FILTRAGEM DE GASES EVAMASQUE

REF. : 17 285 70



Descrição

O EVAMASQUE é um dispositivo de filtragem de gases em 15 minutos que fornece uma protecção eficaz durante a evacuação de áreas acidentalmente poluídas com um volume de oxigénio na atmosfera superior a 17%.

É particularmente adequado para as condições de utilização no sector do petróleo e gás e no sector dos químicos devido ao espectro alargado de cobertura da filtragem de gases com o filtro ABEK. É também compatível com outros artigos de EPIs, como óculos de protecção ou capacetes.

O dispositivo de filtragem de gases EVAMASQUE é seguro, prático e fácil de utilizar.

É pequeno, encontra-se cuidadosamente acondicionado numa estrutura de protecção sólida para ser facilmente transportado ou armazenado durante um longo período de tempo, até 12 anos (4 anos sem manutenção, 12 anos com 2 mudanças do filtro).

O dispositivo de filtragem de gases EVAMASQUE assegura uma protecção máxima em situações de fuga de gases. Só deve ser utilizado em situações de emergência.

Vantagens

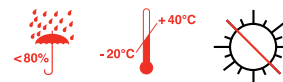
- Protecção eficaz.
- Leve e compacto.
- Rápido e fácil de utilizar.
- Conforto visual excelente.

Normas

- EVAMASQUE: DIN 58647-7
- Dipositivo de protecção respiratória para evacuação,
Parte 7: Dipositivo de filtragem para evacuação.

Características

- **Tamanho:** Tamanho único.
- **Tempo de armazenamento:**
12 anos com 2 mudanças do filtro
(tempo de duração do filtro: 4 anos sem manutenção).
- **Condições de armazenamento:**

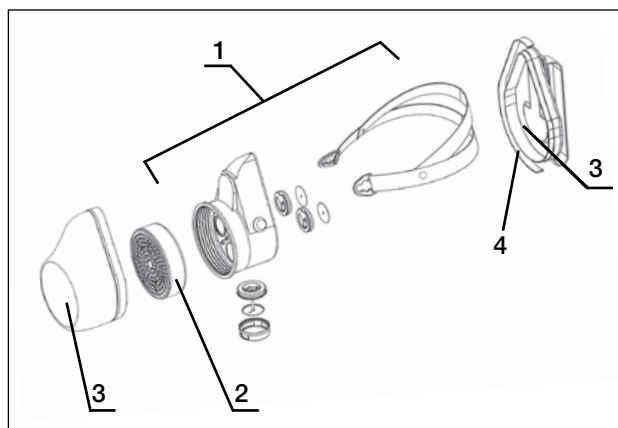


- **Peso líquido:** 365 g
- **Dimensões do produto:** 15,5 x 10 x 8 cm
- **Embalagem:** - Embalado individualmente
15 x 11,5 x 11,5 cm
- Caixa de transporte: 50 unidades
- **Factor de protecção nominal (FPN):** 50
- **Material**
 - Máscara moldada em EPDM preto, equipada com Válvula de inalação em Neoprene, Válvulas de exalação em silicone e correia em elastómero.
 - Filtro: Carbono, Papel e PA não tecido.
 - Estrutura: Poliestireno vermelho.
 - Fita adesiva.

Manutenção

- Os componentes principais podem ser mudados.
- Para obter mais detalhes, consulte o manual do utilizador.
- Números de peça para manutenção:

N.º	Números de peça	Descrição
1	17 285 02	Apenas máscara parcial EVAMASQUE (sem filtro, sem estrutura)
2	17 285 71	Filtro antigases de substituição ABEK com correia elástica de substituição + fita de selagem
3	17 799 93	Estrutura de protecção com gancho para o cinto e abraçadeira
4	17 288 21	Fita adesiva - 50 metros 4 (permite selar até 90 unidades)



Utilização do produto

Limpeza:

- Limpe a máscara parcial com um pano ensaboado em água morna, não em água corrente.
- Seque cuidadosamente antes de a voltar a guardar.

Instruções de utilização

- Certifique-se de que a caixa de transporte não está danificada.



CAPACIDADE DO FILTRO DE ACORDO COM A NORMA DIN58647-7				
Tipo de filtro	Gás testado	Concentração do gás testado no ar		Tempo de penetração mínimo da classe
		Vol. -%	mg/l	
A ■	Ciclohexano (C6H12)	0.25	8.7	15
B ■	Cloro (Cl2)	0.25	7.4	15
B ■	Sulfureto de hidrogénio (H2S)	0.25	3.6	15
B ■	Cianeto de hidrogénio (HCN)	0.25	2.8	15
E ■	Dióxido de enxofre (SO2)	0.25	6.7	15
K ■	Amoníaco (NH3)	0.25	1.8	15
B ■	Sulfureto de hidrogénio (H2S)	1.0*)	14.2	5

(*) Para calcular a segurança de penetração do filtro do gás, o teste é também efectuado com a % de 1,0 Vol. de dióxido de enxofre. Condições de teste: 30 L/min, 70% de humidade relativa, 20 °C

Avisos:

- Não utilize o dispositivo de filtragem de gases se não conseguir obter uma selagem facial eficaz. Consulte as Instruções de manutenção.
- A selagem do dispositivo de filtragem de gases é também afectada pelo tamanho e pela estrutura facial do utilizador, por exemplo, barba, etc.
- Não retire o dispositivo de filtragem de gases antes de sair da área contaminada.
- O dispositivo de filtragem de gases fornece uma protecção limitada contra solventes de baixo ponto de ebulição.
- O dispositivo de filtragem de gases fornece uma protecção limitada contra concentrações elevadas de substâncias perigosas (A duração da filtragem será reduzida, ou o filtro pode tornar-se ineficaz com concentrações muito elevadas).
- Não utilize os aparelhos de filtragem de gases em reservatórios e espaços confinados onde exista o risco de falta de oxigénio
- O dispositivo de filtragem de gases foi concebido para ser utilizado apenas em situações de fuga de gases. Consulte o fornecedor caso tenha dúvidas relativamente à elegibilidade da máscara para a situação em que pretende utilizá-la.
- Abandone a área assim que o fumo ou cheiro das substâncias contaminadoras forem perceptíveis. O filtro está «saturado». Tem de ser mudado.
- Ineficaz contra monóxido de carbono (CO).

HONEYWELL SAFETY PRODUCTS

SPERIAN PROTECTION IBERICA (SA)

Calle Josefa Valcárcel 24 - 5ª Planta - CP. 28027 Madrid - ESPAÑA

Tel: +34 916764521 - Fax: +34 91 6770898

Email: info-spain.hsp@honeywell.com

www.honeywellsafety.com

Honeywell



APARELHO DE FILTRAGEM DE GASES



O EVAMASQUE é um aparelho leve e compacto de filtragem de gases em 15 minutos e que fornece uma protecção eficaz durante a evacuação de áreas acidentalmente poluídas com um volume de oxigénio na atmosfera superior a 17%.

É particularmente adequado para as condições de utilização no sector do Petróleo e Gás e no sector dos químicos devido ao espectro alargado de cobertura da filtragem de gases com o filtro ABEK.

O aparelho de filtragem de gases EVAMASQUE é seguro, cómodo e fácil de utilizar.



Petróleo
e Gás



Químicos

O aparelho de filtragem de gases **EVAMASQUE** destina-se apenas a ser utilizado em situações de emergência (em conformidade com a norma DIN58647-7).

Com uma estrutura de protecção vermelha sólida, em poliestireno de alto impacto (HIPS), o produto está protegido de choques para garantir a integridade da máscara parcial e do filtro.

O aparelho de filtragem de gases **EVAMASQUE** foi concebido para um tempo de vida útil longo com níveis mínimos de manutenção: pode ser armazenado durante 12 anos.

O filtro **ABEK** tem de ser mudado a cada 4 anos para garantir níveis de eficiência totais.

Os outros componentes (máscara parcial e estrutura de protecção) estão também disponíveis para troca se necessário.

PROTECÇÃO

- O aparelho de filtragem de gases **EVAMASQUE** fornece um elevado nível de protecção devido ao filtro **ABEK**.

O seu filtro proporciona uma protecção de elevado espectro contra gases orgânicos, inorgânicos e vapores, dióxido de enxofre, ácido clorídrico e outros gases ácidos, amoníaco e compostos de amónio orgânicos.

SEGURANÇA

- O aparelho de filtragem de gases pode ser usado à volta da cintura, estando sempre à mão em caso de emergência: o utilizador só tem de abrir a estrutura de protecção e colocá-lo.
- O aparelho de filtragem de gases **EVAMASQUE** encontra-se no interior de uma estrutura de protecção sólida que protege o aparelho contra danos acidentais e contaminação.
- O **EVAMASQUE** só pode ser utilizado num ambiente com mais de 17% de oxigénio.

CONFORTO E COMODIDADE

- O campo de visão do utilizador não fica obstruído devido à posição baixa do filtro na máscara parcial.

- A válvula de exalação reduz a resistência da respiração, proporcionando um maior conforto. Este ponto é muito importante em caso de evacuação visto que, nesses casos, o ritmo da respiração aumenta.
- Compacto, leve e usado à volta da cintura, não perturba o utilizador enquanto trabalha.



ESPECIFICAÇÕES	
Peso bruto (com estrutura) / Peso líquido (sem estrutura)	440 gr / 365 gr
Dimensões do produto / Dimensões da embalagem	15.4 x 10.5 x 8 cm / 16 x 15 x 13 cm - embalado individualmente
Norma	DIN 58647-7
Factor de protecção	NPF (protecção de factor nominal): 50 / APF (protecção de factor atribuída): 10

MATERIAL	
Junta	EPDM preto
Válvula de Inalação / Válvula de Exalação	Neoprene / Silicone Preto
Filtro	Estrutura em alumínio cinzento ABEK
Caixa	Poliestireno de alto impacto vermelho
Correia	Elastómero
Fita adesiva	Revestimento em tecido

INFORMAÇÕES DE ENCOMENDA	NÚMERO DE PEÇA
EVAMASQUE completo com filtro	17 285 70
Filtro antigases de substituição ABEK (inclui correia de selagem + correia elástica)	17 285 71
Caixa de protecção (com gancho para o cinto e correia)	17 799 93
Fita adesiva - 50 metros (permite selar até 90 unidades)	17 288 21
100 x toalhetes de desinfecção	17 266 02
EVAMASQUE apenas com correia elástica e sem filtro	17 285 02

HONEYWELL SAFETY PRODUCTS

SPERIAN PROTECTION IBERICA (SA)

Calle Josefa Valcárcel 24 - 5ª Planta
CP. 28027 Madrid - ESPAÑA
Tel: +34 916764521
Fax: +34 91 6770898
Email: info-spain.hsp@honeywell.com

www.honeywellsafety.com

DOC3056

Para mais informações, visite www.honeywellsafety.com
©2012 Honeywell International Inc. Todos os direitos reservados.

Honeywell



DISPOSITIVO DE FILTRADO PARA EVACUACIONES



EVAMASQUE es un dispositivo ligero y compacto de filtrado durante 15 minutos para evacuaciones que ofrece una protección eficaz durante la evacuación de zonas contaminadas accidentalmente cuyo volumen de oxígeno en la atmósfera es superior al 17 %.

Resulta especialmente adecuada para su uso en la industria del petróleo y del gas gracias a su capacidad de filtrado de una amplia gama de gases con el filtro ABEK.

El dispositivo de filtrado para evacuaciones EVAMASQUE es seguro, cómodo y fácil de usar.



Petróleo
y gas



Química

El dispositivo de filtrado para evacuaciones EVAMASQUE solo está pensado para situaciones de emergencia (de conformidad con la norma DIN58647-7).

Con un resistente estuche respirador de protección de color rojo, fabricado con poliestireno de alto impacto (HIPS), el producto se encuentra protegido de golpes para garantizar la integridad de la semimáscara y el filtro.

El dispositivo de filtrado para evacuaciones EVAMASQUE ha sido diseñado para ofrecer una larga vida útil con un mantenimiento mínimo: puede estar almacenado durante 12 años. El filtro ABEK se debe cambiar cada 4 años para garantizar su plena eficacia.

El resto de componentes (la semimáscara y el estuche respirador de protección) también se pueden cambiar si es necesario.

PROTECCIÓN

- El dispositivo de filtrado para evacuaciones EVAMASQUE ofrece mayor nivel de protección gracias a su filtro ABEK. Dicho filtro proporciona

una amplia protección frente a gases orgánicos, inorgánicos y vapores, dióxido de azufre, cloruro de hidrógeno y otros gases ácidos, amoníaco y compuestos orgánicos del amoníaco.

SEGURIDAD

- El dispositivo de filtrado para evacuaciones se puede llevar puesto alrededor del cinturón, siempre al alcance de la mano en caso de emergencias: el usuario solo tiene que abrir el estuche respirador de protección y colocárselo.
- El dispositivo de filtrado para evacuaciones EVAMASQUE se suministra dentro de un estuche respirador de protección resistente que protege al dispositivo de la contaminación y daños accidentales.
- EVAMASQUE solo se puede usar en atmósferas con más del 17 % de oxígeno.

VENTAJAS Y COMODIDAD

- No se obstruye el campo de visión del usuario gracias a la posición baja del filtro en la semimáscara.

- La válvula de espiración reduce la resistencia a la respiración y ofrece mayor comodidad. Este punto es muy importante en situaciones de evacuación, ya que en esos casos la frecuencia respiratoria aumenta.
- Es compacta, ligera y se lleva alrededor del cinturón, por lo que no molesta al usuario durante su trabajo.



ESPECIFICACIONES

Peso bruto (con estuche respirador)/Peso neto (sin estuche respirador)	440 gr / 365 gr
Dimensiones del producto/Dimensiones del embalaje	15,4 x 10,5 x 8 cm / 16 x 15 x 13 cm: embalado de forma individual
Norma	DIN 58647-7
Factor de protección	NPF (factor de protección nominal) : 50 / AFP (factor de protección asignado): 10

MATERIAL

Facial	EPDM negro
Válvula de inhalación/Válvula de espiración	Neopreno / Silicona negra
Filtro	ABEK de carbón, estuche del respirador de aluminio
Estuche	Poliestireno rojo de alto impacto
Cinta	Elastométrica
Cinta adhesiva	Con revestimiento textil

INFORMACIÓN PARA PEDIDO

	NÚMERO DE PIEZA
EVAMASQUE completa con filtro	17 285 70
Filtro antigás de sustitución ABEK (incluye cinta adhesiva + cinta elástica)	17 285 71
Estuche de protección (con sujeción del cinturón y cinta)	17 799 93
Cinta adhesiva: 50 metros (permite la adhesión de 90 unidades aproximadamente)	17 288 21
100 toallitas desinfectantes	17 266 02
EVAMASQUE solo con cinta elástica y sin filtro	17 285 02

HONEYWELL SAFETY PRODUCTS

SPERIAN PROTECTION IBERICA (SA)

Calle Josefa Valcárcel 24 - 5ª Planta
CP. 28027 Madrid - ESPAÑA
Tel: +34 916764521
Fax: +34 91 6770898
Email: info-spain.hsp@honeywell.com

www.honeywellsafety.com

DOC3055

Para obtener más información, visite www.honeywellsafety.com.
©2012 Honeywell International Inc. Todos los derechos reservados.

Honeywell



MASKA EWAKUACYJNA Z FILTREM



EVAMASQUE to kompaktowa i lekka maska ewakuacyjna z filtrem. Zapewnia 15-minutową ochronę w razie wypadku, podczas ewakuacji z obszarów o zawartości tlenu powyżej 17%.

Jest przeznaczona przede wszystkim do warunków panujących w przemyśle naftowym i gazowniczym, chroniąc przed różnymi gazami dzięki filtrowi ABEK.

Maska ewakuacyjna z filtrem EVAMASQUE jest bezpieczna, wygodna i łatwa w użyciu.



Przemysł
naftowy i
gazowniczy



Przemysł
chemiczny

Maska ewakuacyjna z filtrem EVAMASQUE jest przeznaczona do użycia wyłącznie w razie wypadku (zgodnie z normą DIN58647-7).

Dzięki trwałej czerwonej obudowie zabezpieczającej, wykonanej z wytrzymałego polistyrenu (HIPS), produkt jest zabezpieczony przed wstrząsami, a połączenie półmaski i filtra jest trwałe.

Maska ewakuacyjna z filtrem EVAMASQUE została tak zaprojektowana, aby zapewniać długotrwałą przydatność przy minimalnej konserwacji: Okres przechowywania wynosi 12 miesięcy. Filtr ABEK należy wymieniać co 4 lata, aby zapewnić jego pełną skuteczność.

W razie potrzeby można też wymienić inne elementy, takie jak półmaska i obudowa zabezpieczająca.

OCHRONA

- Maska EVAMASQUE zapewnia wysoki poziom ochrony dzięki filtrowi ABEK. Gwarantuje ochronę w szerokim zakresie — przed gazami organicznymi i nieorganicznymi,

oparami, dwutlenkiem siarki, chlorowodorem i innymi kwaśnymi gazami, amoniakiem oraz jego związkami organicznymi.

BEZPIECZEŃSTWO

- Maska ewakuacyjna z filtrem może być noszona na pasku wokół talii, dzięki czemu w razie wypadku zawsze będzie dostępna: wystarczy, że użytkownik otworzy obudowę zabezpieczającą i ją nałoży.
- Maska EVAMASQUE znajduje się w obudowie zabezpieczającej, która chroni ją przed przypadkowym uszkodzeniem i zanieczyszczeniem.
- Maska EVAMASQUE może być używana wyłącznie w atmosferze zawierającej ponad 17% tlenu.

KOMFORT I WYGODA UŻYCIA

- Pole widzenia użytkownika nie jest niczym ograniczone, ponieważ filtr półmaski umiejscowiony jest dość nisko.

- Zawór wydechowy ogranicza opór oddechowy dla większego komfortu użytkownika. Podczas ewakuacji jest to bardzo ważne, ponieważ w takich sytuacjach wzrasta częstotliwość oddechu.
- Dzięki kompaktowej obudowie, niewielkiej masie i możliwości noszenia przy pasie nie przeszkadza ona użytkownikom podczas pracy.



DANE TECHNICZNE

Masa brutto (bez obudowy)/netto (bez obudowy)	440 g / 365 g
Wymiary maski/opakowania	15,4 x 10,5 x 8 cm / 16 x 15 x 13 cm — opakowanie pojedyncze
Norma	DIN 58647-7
Współczynnik ochrony	NPF (nominalny współczynnik ochrony): 50 / APF (przypisany współczynnik ochrony): 10

MATERIAŁ

Część twarzowa	Czarny EPDM
Zawór wdechowy/wydechowy	Neopren /
Filtr	Węglowy ABEK, obudowa aluminiowa
Obudowa	Czerwona, z wytrzymałego polistyrenu
Pasek	Z elastomeru
Taśma klejąca	Powleczona włóknem

INFORMACJE DOTYCZĄCE ZAMÓWIEŃ

	NUMER CZĘŚCI
Kompletna maska EVAMASQUE z filtrem	17 285 70
Zastępczy filtr przeciwgazowy ABEK (z pasem mocującym i paskiem elastycznym)	17 285 71
Obudowa (z paskiem i mocowaniem)	17 799 93
Taśma klejąca — 50 metrów (umożliwia zaplombowanie około 90 jednostek)	17 288 21
100 chusteczek do dezynfekcji	17 266 02
Sama maska EVAMASQUE z paskiem elastycznym, bez filtra	17 285 02

HONEYWELL SAFETY PRODUCTS

SPEIRAN PROTECTION POLSKA

Ul. Podskale 2
30-522 Kraków - Polska
Tel. +48 012 656 57 31 - Fax: +48 012 656 14 54
E-mail : hrsp-info@honeywell.com

www.honeywellsafety.com

DOC3060
Aby dowiedzieć się więcej, odwiedź stronę www.honeywellsafety.com
© 2012 Honeywell International Inc. Wszystkie prawa zastrzeżone.

Honeywell



جهاز الإنقاذ لفلتره الهواء

بعد EVAMASQUE جهاز إنقاذ خفيف ومضغوط لفلتره الهواء لمدة ١٥ دقيقة، والذي يوفر حماية فعالة أثناء عملية الإخلاء من المناطق التي يقع فيها حادث تلوث؛ حيث تكون نسبة الأكسجين في الجو أكثر من ١٧٪.

فهو يتناسب مع ظروف الصناعات التي تعتمد على البترول والغاز والكيماويات؛ وذلك بسبب تغطيته واسعة الطيف لفلتره الغاز بالفلتر ABEK.

ويعد جهاز الإنقاذ EVAMASQUE لفلتره الهواء آمناً ومريحاً وسهل الاستخدام.



EVAMASQUE



الكيماويات



البترول والغاز



EVAMASQUE

السلامة

- يمكن وضع جهاز الإنقاذ لفلتر الهواء حول حزام الوسط؛ ليسهل الوصول إليه دائمًا في حالة الطوارئ: لا يمكن فتح غلاف الحماية وارتداؤه إلا من قبل المستخدم.
- جهاز الإنقاذ EVAMASQUE لفلتر الهواء معياً في غلاف حماية قوي؛ مما يحمي الجهاز من حوادث التلوث والتلوث.
- لا يمكن استخدام جهاز EVAMASQUE إلا في حالة أن تكون نسبة الأكسجين في الجو أكثر من ١٧٪.

الراحة والملاءمة

- لن يتم إعاقة رؤية المستخدم؛ وذلك بسبب الوضع المنخفض للفلتر بالقناع النصفي.
- يعمل صمام الزفير على الحد من مقاومة التنفس مما يوفر راحة أكثر. فهذه الميزة مهمة جدًا في حالة الإخلاء؛ حيث يزداد معدل التنفس.
- كما أن حجمه المضغوط والخفيف وارتدائه حول حزام الوسط يجعله غير مزعج للمستخدم أثناء عمله.

يستخدم جهاز الإنقاذ EVAMASQUE لفلتر الهواء في حالات الطوارئ فقط (وفقًا للمعيار DIN58647-7). يتمتع المنتج بغلاف حماية أحمر قوي مصنوع من مادة البوليسترين عالية التأثير (HIPS)، مما يجعله مقاومًا للصدمات وذلك لضمان سلامة القناع النصفي والفلتر. تم تصميم جهاز الإنقاذ EVAMASQUE لفلتر الهواء للاستخدام مدى الحياة مع أقل احتياج للصيانة: ويمكن تخزينه لمدة ١٢ عامًا. ويجب تغيير الفلتر ABEK كل أربع سنوات لضمان فعاليته الكاملة. كما أن مكوناته الأخرى متوفرة أيضًا للتغيير عند الضرورة (القناع النصفي وغلاف الحماية).

الحماية

• يوفر جهاز الإنقاذ EVAMASQUE لفلتر الهواء مستوى عالٍ من الحماية وذلك لوجود الفلتر ABEK. يوفر الفلتر الموجود بهذا الجهاز حماية واسعة الطيف من الغازات العضوية وغير العضوية والأبخرة وثاني أكسيد الكبريت وكلوريد الهيدروجين إلى جانب الغازات الحمضية الأخرى والأمونيا ومركبات الأمونيوم العضوية.

المواصفات	
الوزن الإجمالي (بالتغليف) / الوزن الصافي (بدون تغليف)	٤٤٠ جم / ٣٦٥ جم
أبعاد المنتج / أبعاد التغليف	١٥,٤ × ١٠,٥ × ٨ سم / ١٦ × ١٥ × ١٣ سم - تغليف فردي
المعيار	DIN 58647-7
عامل الحماية	NFP (عامل الحماية الاسمي): ٥٠ / AFP (عامل الحماية المعين): ١٠

المواد	
إزار	مطاط EPDM أسود
صمام الشهيق / صمام الزفير	نيوبرين / سيليكون أسود
فلتر	فحم ABEK وغلاف من الألومنيوم
صندوق	بوليسترين أحمر عالي التأثير
إبزيم	مطاط مرن
شريط لاصق	نسيج مكسو

رقم الصنف	معلومات الطلب
١٧ ٢٨٥ ٧٠	جهاز EVAMASQUE المتكامل بالفلتر
١٧ ٢٨٥ ٧١	فلتر ABEK احتياطي مقاوم للغاز (يشمل شريط إحكام + وإبزيم مطاطي)
١٧ ٧٩٩ ٩٣	صندوق حماية (بمشبك حزام وإبزيم)
١٧ ٢٨٨ ٢١	شريط لاصق - ٥٠ مترًا (يسمح بإحكام حوالي ٩٠ وحدة)
١٧ ٢٦٦ ٠٢	١٠٠ × مناشف مطهرة
١٧ ٢٨٥ ٠٢	جهاز EVAMASQUE منفرد بإبزيم مطاطي وبدون فلتر

HONEYWELL SAFETY PRODUCTS

PO Box 232362
Emaar Business Park
Building 2, Level 2, Office 201
Dubai, U.A.E.
Tel: + 971 4 450 5800
Fax: + 971 4 450 5900

جهاز الإنقاذ EVAMASQUE لفلتر الهواء

المرجع: 17 285 70



الوصف

يعد EVAMASQUE جهاز إنقاذ خفيف ومضغوط لفلتر الهواء لمدة 15 دقيقة، والذي يوفر حماية فعالة أثناء عملية الإخلاء من المناطق التي وقع فيها حادث تلوث؛ حيث تكون نسبة الأكسجين في الجو أكثر من 17%.

فهو يتناسب مع ظروف الصناعات التي تعتمد على البترول والغاز والكيماويات؛ وذلك بسبب تغطيته واسعة الطيف لفلتر الغاز بالفلتر ABEK. إلى جانب أنه متوافق أيضًا مع عناصر معدات الحماية الشخصية الأخرى مثل النظارات والخوذات.

ويعد جهاز الإنقاذ EVAMASQUE لفلتر الهواء آمنًا وعمليًا وسهل الاستخدام. فهو صغير الحجم ومعبأ بأناقة في غلاف حماية قوي لحمله وتخزينه بسهولة لفترات طويلة تصل لمدة 12 عامًا (4 سنوات بدون صيانة و 12 عامًا مع تغيير الفلتر مرتين).
يضمن جهاز الإنقاذ EVAMASQUE لفلتر الهواء تحقيق أعلى مستوى من الحماية في حالات الإنقاذ. فهو مصمم للاستخدام في حالات الطوارئ فقط.

الخصائص

- الحجم: حجم واحد.
- مدة التخزين: 12 عامًا مع تغيير الفلتر مرتين.
- (فترة صلاحية الفلتر: 4 سنوات بدون صيانة).
- شروط التخزين:



- الوزن الصافي: 365 جم
- أبعاد المنتج: 15,5 × 10 × 8 سم
- التعبئة: - تعبئة فردية 15 × 11,5 × 11,5 سم
- صندوق الشحن: 50 وحدة
- **NFP** (عامل الحماية الاسمي): 50
- المواد

- القناع مشكل من مطاط EPDM أسود ومجهز بصمام شهيق من النيوبرين
- وصمام زفير من السليكون وإيزيم مطاطي.
- الفلتر: كربون وورق و PA غير منسوج.
- التغليف: بوليستيرين أحمر.
- شريط لاصق.

المميزات

- حماية فعالة.
- خفيف ومضغوط.
- سريع وسهل الاستخدام.
- راحة ممتازة في الرؤية.

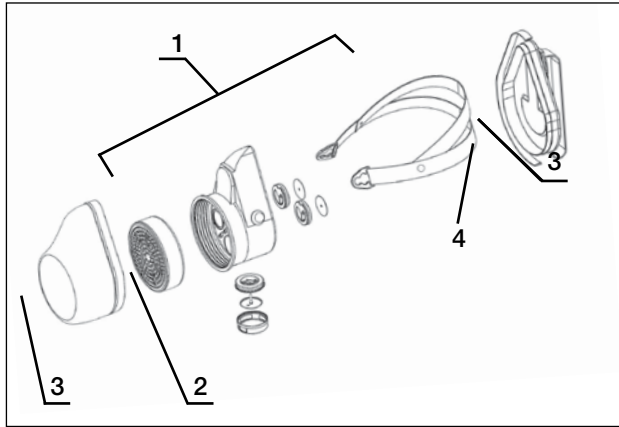
المعايير

- EVAMASQUE :DIN 58647-7
- أجهزة حماية الجهاز التنفسي للإنقاذ الذاتي،
- الجزء السابع: أجهزة فلتر الهواء للإنقاذ الذاتي.

الصيانة

- يمكن تغيير المكونات الرئيسية.
- لمزيد من التفاصيل، الرجاء الرجوع إلى دليل المستخدم.
- أرقام القطع القابلة للصيانة:

الوصف	أرقام القطع	الرقم °
القناع النصفى EVAMASQUE منفرد (بدون فلتر وبدون تغليف)	17 285 02	1
فلتر ABEK احتياطي مقاوم للغاز يشمل إيزيم مطاطي + وشريط إحكام احتياطي	17 285 71	2
غلاف حماية بمشيك حزام وماسك	17 799 93	3
شريط لاصق - 50 مترًا 4 (يسمح بإحكام حوالي 90 وحدة)	17 288 21	4



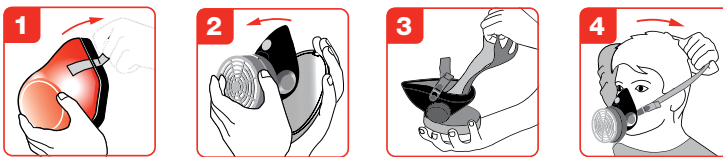
استخدام المنتج

التنظيف:

- نظف القناع النصفى بقطعة قماش دافئة ومغطاة بالصابون.
- ولا تنظفه تحت مياه جارئة.
- جففه بعناية قبل تخزينه مرة أخرى.

تعليمات المستخدم

- تأكد من أن صندوق النقل غير تالف.



سعة الفلتر وفقاً للمعيار DIN58647-7				
الحد الأدنى لوقت نفاذ الغاز حسب فئة الفلتر	تركيز الغاز المختبر في الهواء		الغاز المختبر	نوع الفلتر
	ملجم/لتر	الحجم - %		
15 دقيقة			سيكلوهكسان (C6H12)	A
15	8.7	0.25	الكور (Cl2)	B
15	7.4	0.25	كبريتيد الهيدروجين (H2S)	B
15	3.6	0.25	سيانيد الهيدروجين (HCN)	B
15	2.8	0.25	ثاني أكسيد الكبريت (SO2)	E
15	6.7	0.25	الأمونيا (NH3)	K
15	1.8	0.25	كبريتيد الهيدروجين (H2S)	B
5	14.2	(*1.0)		

(* لتقييم سلامة النفاذ من الفلتر المقاوم للغاز، تم اختياره أيضاً مع ثاني أكسيد الكبريت بحجم 1.0 - % . شروط الاختبار 30 لتر في الدقيقة، الرطوبة النسبية 70%، 20 درجة مئوية

التحذيرات:

- لا تستخدم جهاز الإنقاذ لفلتر الهواء إذا كان لا يمكن إحكام الجهاز بفاعلية على الوجه.
- الرجاء الرجوع إلى تعليمات الصيانة.
- يتأثر إحكام جهاز الإنقاذ لفلتر الهواء بحجم وجه المستخدم وشكله؛ مثل شعر الذقن وغيره.
- لا تقم بخلع جهاز الإنقاذ لفلتر الهواء قبل مغادرة المنطقة الملوثة.
- يوفر جهاز الإنقاذ لفلتر الهواء حماية محدودة من المذيبات ذات درجة الغليان المنخفضة.
- يوفر جهاز الإنقاذ لفلتر الهواء حماية محدودة من درجات التركيز العالية للمواد الخطيرة.
- (ستنخفض فترة الفلتر، أو قد يصبح الفلتر غير فعال في درجات التركيز العالية جداً).
- لا تستخدم أجهزة الإنقاذ لفلتر الهواء في الخزانات والمساحات الضيقة؛ حيث يتكون معرضة لخطر نقص الأكسجين.
- تم تصميم جهاز الإنقاذ لفلتر الهواء للاستخدام في حالات الإنقاذ فقط. الرجاء الرجوع إلى الموزع إذا كان لديك أي شك فيما إذا كان قناع الوقاية من الغازات مناسباً للحالات التي تنوي استخدامها فيها.
- غادر المنطقة بمجرد أن يصبح البخار أو الرائحة محسوسة.
- الفلتر «مشبع». يجب تغييره.
- الجهاز غير فعال مع أول أكسيد الكربون (CO).

HONEYWELL SAFETY PRODUCTS

PO Box 232362 - Emaar Business Park
Building 2, Level 2, Office 201 - Dubai, U.A.E.
Tel: + 971 4 450 5800 - Fax: + 971 4 450 5900

www.honeywellsafety-meai.com

Honeywell

DISPOSITIVO DE FILTRADO PARA EVACUACIONES EVAMASQUE

REF.: 17 285 70



Descripción

EVAMASQUE es un dispositivo de filtrado para evacuaciones de 15 minutos que ofrece una protección eficaz durante la evacuación de zonas contaminadas accidentalmente cuyo volumen de oxígeno en la atmósfera es superior al 17 %.

Resulta especialmente adecuado para su uso en la industria del petróleo y del gas gracias a su capacidad de filtrado de una amplia gama de gases con el filtro ABEK. También es compatible con otros elementos de sistemas de protección individual (EPI), como gafas o cascos.

El dispositivo de filtrado para evacuaciones EVAMASQUE es seguro, práctico y fácil de usar.

Además, es pequeño, está bien empaquetado en una sólida carcasa protectora para poder transportarlo o almacenarlo fácilmente y durante largos periodos de tiempo, de hasta 12 años (4 años sin necesidad de mantenimiento, 12 años con dos cambios de filtro).

El dispositivo de filtrado para evacuaciones EVAMASQUE garantiza la máxima protección en situaciones de evacuación.

Está destinado únicamente para su uso en situaciones de emergencia.

Ventajas

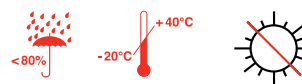
- Protección eficaz.
- Ligero y compacto.
- Rápido y fácil de usar.
- * Excelente comodidad visual.

Normativas

- EVAMASQUE: DIN 58647-7
- Dispositivos de protección respiratoria para rescate personal
Parte 7: Dispositivos de filtrado para rescate personal.

Características

- **Tamaño:** Tamaño único.
- **Tiempo de almacenamiento:** 12 años con 2 cambios de filtro (vida útil del filtro: 4 años sin necesidad de mantenimiento).
- **Condiciones de almacenamiento:**

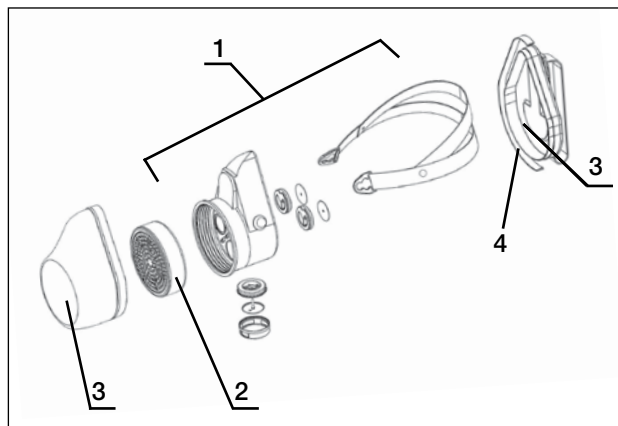


- **Peso neto:** 365 g
- **Dimensiones del producto:** 15,5 x 10 x 8 cm
- **Embalaje:** - Embalado de forma individual, 15 x 11,5 x 11,5 cm
- Caja de envío: 50 unidades
- **NFP (factor de protección nominal):** 50
- **Material:**
 - Máscara moldeada con EPDM negro, equipada con válvula de inhalación de neopreno, válvulas de exhalación de silicona y cinta elastomérica.
 - Filtro: carbono, papel y PA no tejido.
 - Estuche: poliestireno rojo.
 - Cinta adhesiva.

Mantenimiento

- Los componentes principales se pueden modificar.
- Para obtener información detallada, consulte el manual de usuario.
- Números de referencia para mantenimiento:

Nº	Números de referencia	Descripción
1	17 285 02	EVAMASQUE (solo la semimáscara, sin filtro ni estuche)
2	17 285 71	Filtro antigás de sustitución ABEK con cinta de sellado y elástica de repuesto
3	17 799 93	Carcasa protectora con abrazadera y pinza de cinturón
4	17 288 21	Cinta adhesiva: 50 metros 4 (permite la adhesión de 90 unidades aproximadamente)



Uso del producto

Limpieza:

- Limpie la semimáscara con un paño y agua jabonosa tibia, nunca bajo el grifo.
- Séquela bien antes de almacenarla de nuevo.

Instrucciones para el usuario

- Asegúrese de que la caja de transporte no ha sufrido daños.



CAPACIDAD DE FILTRADO CONFORME A LA NORMATIVA DIN58647-7				
Tipo de filtro	Gas probado	Concentración del gas probado en el aire		Tiempo mínimo de penetración de clase
		% de vol.	mg/l	
A ■	Ciclohexano (C6H12)	0,25	8,7	15
B ■	Cloro (Cl2)	0,25	7,4	15
B ■	Sulfuro de hidrógeno (H2S)	0,25	3,6	15
B ■	Cianuro de hidrógeno (HCN)	0,25	2,8	15
E ■	Dióxido de azufre (SO2)	0,25	6,7	15
K ■	Amoniaco (NH3)	0,25	1,8	15
B ■	Sulfuro de hidrógeno (H2S)	1,0*	14,2	5

(*) A fin de calcular la seguridad de penetración del gas en el filtro, también se ha realizado la prueba con un porcentaje de volumen de 1,0 de dióxido de azufre. Condiciones de la prueba: 30 L/mn, 70 % de humedad relativa, 20° C

Avisos:

- No utilice el dispositivo de filtrado para evacuaciones si no sella la cara correctamente. Consulte las instrucciones de mantenimiento.
- El sellado del dispositivo de filtrado para evacuaciones también se ve afectado por el tamaño y la estructura facial del usuario, por ejemplo, el pelo de la barba, etc.
- No se quite el dispositivo antes de abandonar el área contaminada.
- El dispositivo de filtrado para evacuaciones ofrece una protección limitada frente a los disolventes con punto de ebullición bajo.
- El dispositivo de filtrado para evacuaciones ofrece una protección limitada frente a altas concentraciones de sustancias peligrosas (la duración de la filtración se puede ver reducida o el filtro se puede volver ineficaz con concentraciones muy altas).
- No utilice los dispositivos de filtrado para evacuaciones en tanques y espacios reducidos donde existe riesgo de falta de oxígeno.
- El dispositivo de filtrado para evacuaciones se ha diseñado para su uso únicamente en situaciones de evacuación. Consulte con el proveedor si tiene alguna duda sobre si el respirador es adecuado para la situación en la que pretende utilizarlo.
- Abandone la zona en cuando detecte el vapor o el olor de los contaminantes. El filtro está «saturado». Se debe cambiar.
- No es eficaz frente al monóxido de carbono (CO).

HONEYWELL SAFETY PRODUCTS

SPIERIAN PROTECTION IBERICA (SA)

Calle Josefa Valcárcel 24 - 5ª Planta - CP. 28027 Madrid - ESPAÑA

Tel: +34 916764521 - Fax: +34 91 6770898

Email: info-spain.hsp@honeywell.com

www.honeywellsafety.com

Honeywell

MASKA EWAKUACYJNA Z FILTREM EVAMASQUE

NR ODN.: 17 285 70



Opis

EVAMASQUE to maska ewakuacyjna z filtrem, która zapewni 15-minutową ochronę w razie wypadku, podczas ewakuacji z obszarów o zawartości tlenu powyżej 17%.

Jest przeznaczona przede wszystkim do warunków panujących w przemyśle naftowym i gazowniczym, chroniąc przed różnymi gazami dzięki filtrowi ABEK. Można ją stosować razem z innymi elementami z PPE, takimi jak okulary czy kaski.

Maska ewakuacyjna z filtrem EVAMASQUE jest bezpieczna, praktyczna i łatwa w użyciu.

Jest niewielka i starannie opakowana w trwałą obudowę zabezpieczającą, dzięki czemu może być z łatwością przenoszona i przechowywana przez długi czas, do 12 lat (4 lata bez konserwacji, 12 lat przy 2 wymianach filtrów).

Maska EVAMASQUE zapewnia maksymalny poziom ochrony podczas ewakuacji.

Jest przeznaczona do użycia wyłącznie w sytuacji zagrożenia.

Korzyści

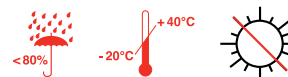
- Skuteczna ochrona.
- Lekka i kompaktowa.
- Szybkość i łatwość użycia.
- Doskonała widoczność.

Normy

- EVAMASQUE: DIN 58647-7
Maski ucieczkowe chroniace drogi oddechowe.
Czesc 7: Filtropochlaniacze do masek ucieczkowych

Charakterystyka

- **Rozmiar:** Jeden rozmiar.
- **Okres przechowywania:**
12 lat przy 2 wymianach filtra (okres przechowywania filtra : 4 lata bez konserwacji)
- **Warunki przechowywania:**

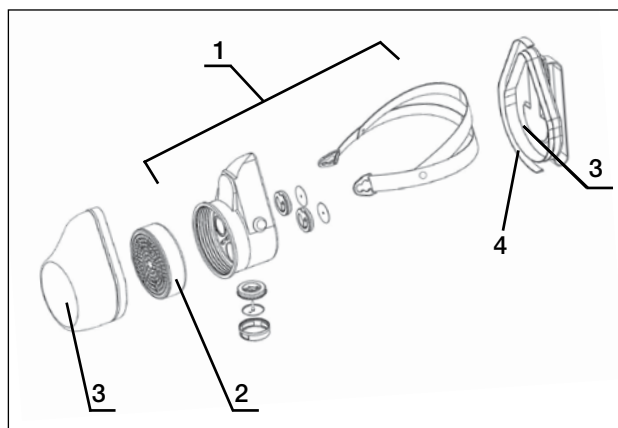


- **Masa netto:** 365 g
- **Wymiary produktu:** 15,5 x 10 x 8 cm
- **Opakowanie:** — Opakowanie pojedyncze
15 x 11,5 x 11,5 cm
— Opakowanie zbiorcze: 50 sztuk
- **NFP (nominalny współczynnik ochrony):** 50
- **Materiał**
 - Część twarzowa maski z czarnego EPDM. wyposażona w neoprenowy zawór wdechowy, silikonowe zawory wydechowe i pasek z elastomeru.
 - Filtr: węgiel, papier i nietkany PA.
 - Obudowa: czerwony polistyren.
 - Taśma klejąca.

Konserwacja

- Główne elementy można wymieniać.
- Sprawdź szczegóły w instrukcji obsługi.
- Numery części do celów konserwacji:

Nr	Numery części	Opis
1	17 285 02	Sama półmaska EVAMASQUE (bez filtra, bez obudowy)
2	17 285 71	Zastępczy filtr przeciwgazowy ABEK z wymiennym paskiem elastycznym i taśmą wzmacniającą
3	17 799 93	Oslona zabezpieczająca z klamrą na pasku i zaciskiem
4	17 288 21	Taśma klejąca — 50 metrów; 4 (umożliwia zaplombowanie około 90 sztuk)



Użycie produktu

Czyszczenie:

- Czyścić półmaskę ciepłą wodą z mydłem, za pomocą ściereczki, nie pod bieżącą wodą.
- Przed przekazaniem do magazynowania dokładnie osuszyć.

Instrukcje dla użytkownika

- Upewnić się, że opakowanie transportowe nie jest uszkodzone.



POJEMNOŚĆ FILTRA JEST ZGODNA Z NORMĄ DIN58647-7

Typ filtra	Gaz testowy	Stężenie gazu testowego w powietrzu		Minimalny czas działania według klasy
		Ilość — %	mg/l	
A ■	Cykloheksan (C6H12)	0.25	8.7	15
B ■	Chlor (Cl2)	0.25	7.4	15
B ■	Siarkowodór (H2S)	0.25	3.6	15
B ■	Cyjanowodór (HCN)	0.25	2.8	15
E ■	Dwutlenek siarki (SO2)	0.25	6.7	15
K ■	Amoniak (NH3)	0.25	1.8	15
B ■	Siarkowodór (H2S)	1.0*	14.2	5

(*) Aby oszacować bezpieczny czas działania filtra gazowego, testuje się go również po działaniu dwutlenku siarki (1%). Warunki podczas testów 30L/mn, wilgotność względna 70%, 20°C

Ostrzeżenia:

- Nie należy używać maski ewakuacyjnej z filtrem, jeśli całkowicie nie przylega ona do twarzy. Patrz instrukcje konserwacji
- Uszczelka maski ewakuacyjnej z filtrem dopasowuje się do rozmiaru twarzy i innych cech, takich jak np. broda.
- Nie należy zdejmować maski ewakuacyjnej z filtrem przed opuszczeniem obszaru zagrożenia.
- Maska ewakuacyjna z filtrem zapewnia ograniczoną ochronę przed rozpuszczalnikami o niskiej temperaturze wrzenia.
- Maska ewakuacyjna z filtrem zapewnia ograniczoną ochronę przed substancjami niebezpiecznymi w wysokich stężeniach (czas działania filtra może być krótszy lub filtr może się okazać nieskuteczny przy bardzo wysokich stężeniach).
- Nie należy używać maski ewakuacyjnej z filtrem w zbiornikach i zamkniętych przestrzeniach, w których występuje ryzyko niedoboru tlenu.
- Maska ewakuacyjna z filtrem jest przeznaczona do użycia wyłącznie podczas ewakuacji. W razie jakichkolwiek wątpliwości dotyczących skuteczności w przewidywanych warunkach użycia należy skonsultować się z dostawcą.
- Opuscic obszar zagrożenia natychmiast po odczuciu zapachu lub zauważeniu par niebezpiecznej substancji. Filtr został przebity (przestał działać). Należy go jak najszybciej wymienić.
- Nieskuteczny w przypadku zanieczyszczenia tlenkiem węgla (CO).

HONEYWELL SAFETY PRODUCTS

HONEYWELL SAFETY PRODUCTS POLSKA

ul. Podskale 2 - 30-522 Krakow - Poland
 Telefon: 00 48 12 656 57 31 - Faks: 00 48 12 656 14 54
 E-mail : info-poland.hsp@honeywell.com

www.honeywellsafety.com

Honeywell